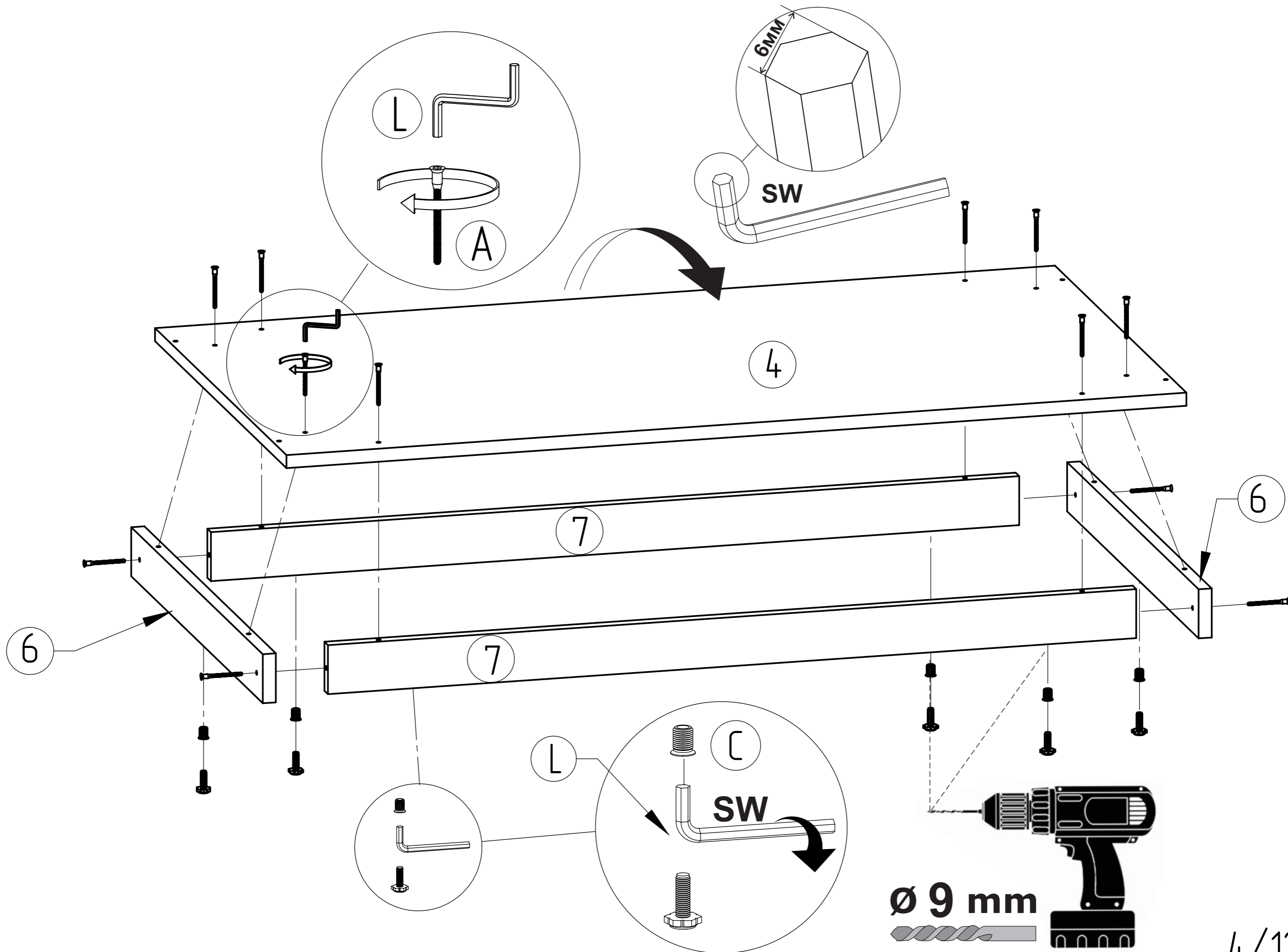


ШКП 220 (110(2) – 130)

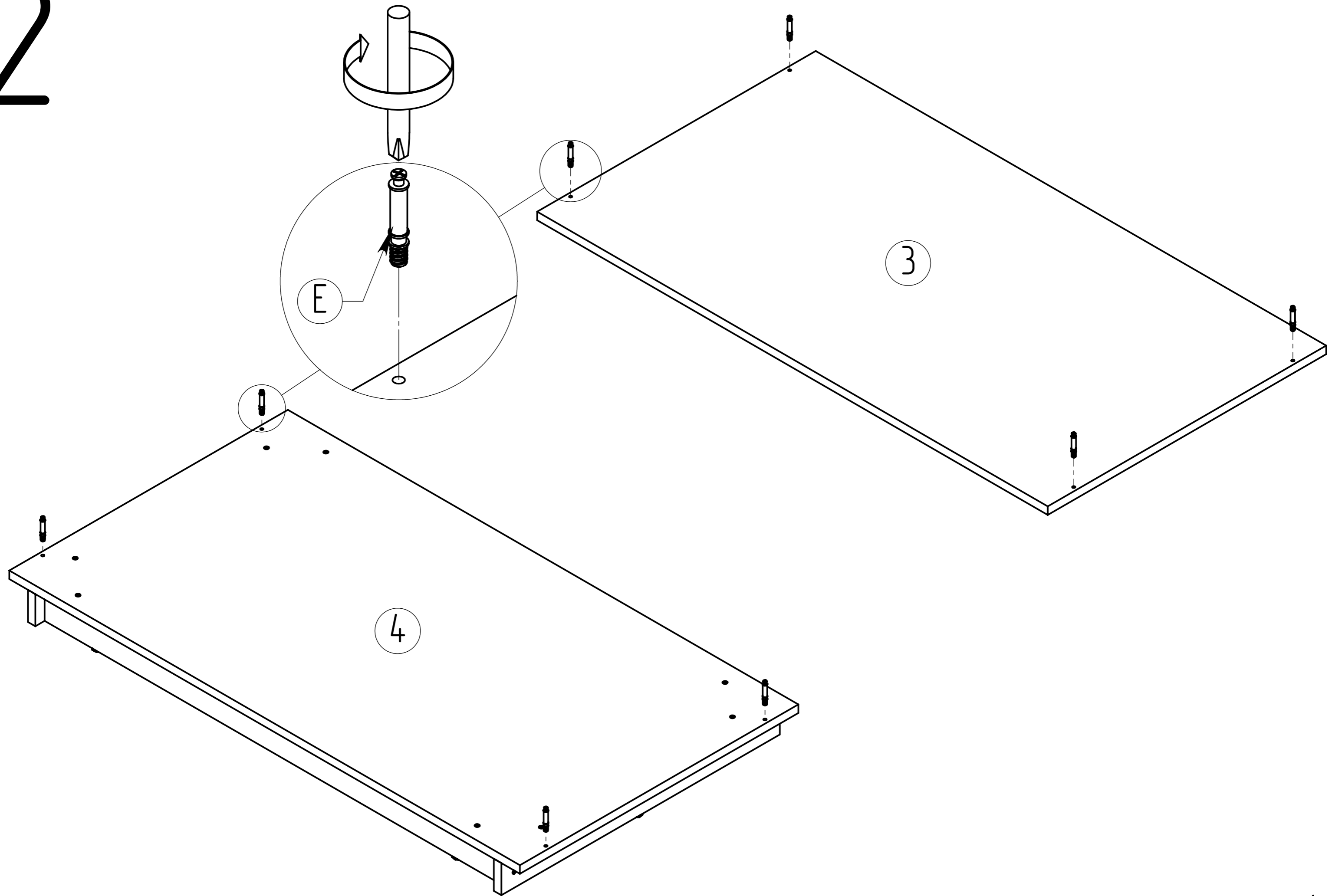
№	220x60x130	220x60x120	220x60x110(2)	X
①	2105x600x16	2105x600x16	2105x600x16	1
②	2105x600x16	2105x600x16	2105x600x16	1
③	1300x600x16	1200x600x16	1100x600x16	1
④	1300x600x16	1200x600x16	1100x600x16	1
⑤	1268x550x16	1168x550x16	1068x550x16	2
⑥	600x60x16	600x60x16	600x60x16	2
⑦	1188x60x16	1088x60x16	988x60x16	2
⑧	1296x531x3	1196x531x3	1096x531x3	4
⑨	2063x647	2063x597	2063x547	1

<p>(A) 6.3*50</p>  <p>x21</p>	<p>(A1)</p>  <p>x21</p>	<p>(B) 4*16</p>  <p>x18</p>	<p>(C)</p>  <p>x12</p>
<p>(D)</p>  <p>x50</p>	<p>(E)</p>  <p>x8</p>	<p>(E1)</p>  <p>x8</p>	<p>(F)</p>  <p>x4.530</p>
<p>(G)</p>  <p>x2</p>	<p>(G1)</p>  <p>x1</p>	<p>(H)</p>  <p>x1</p>	<p>(I)</p>  <p>x4</p>
<p>(J)</p>  <p>x4</p>	<p>(K) 3.5*16</p>  <p>x6</p>	<p>(L)</p>  <p>x1</p>	

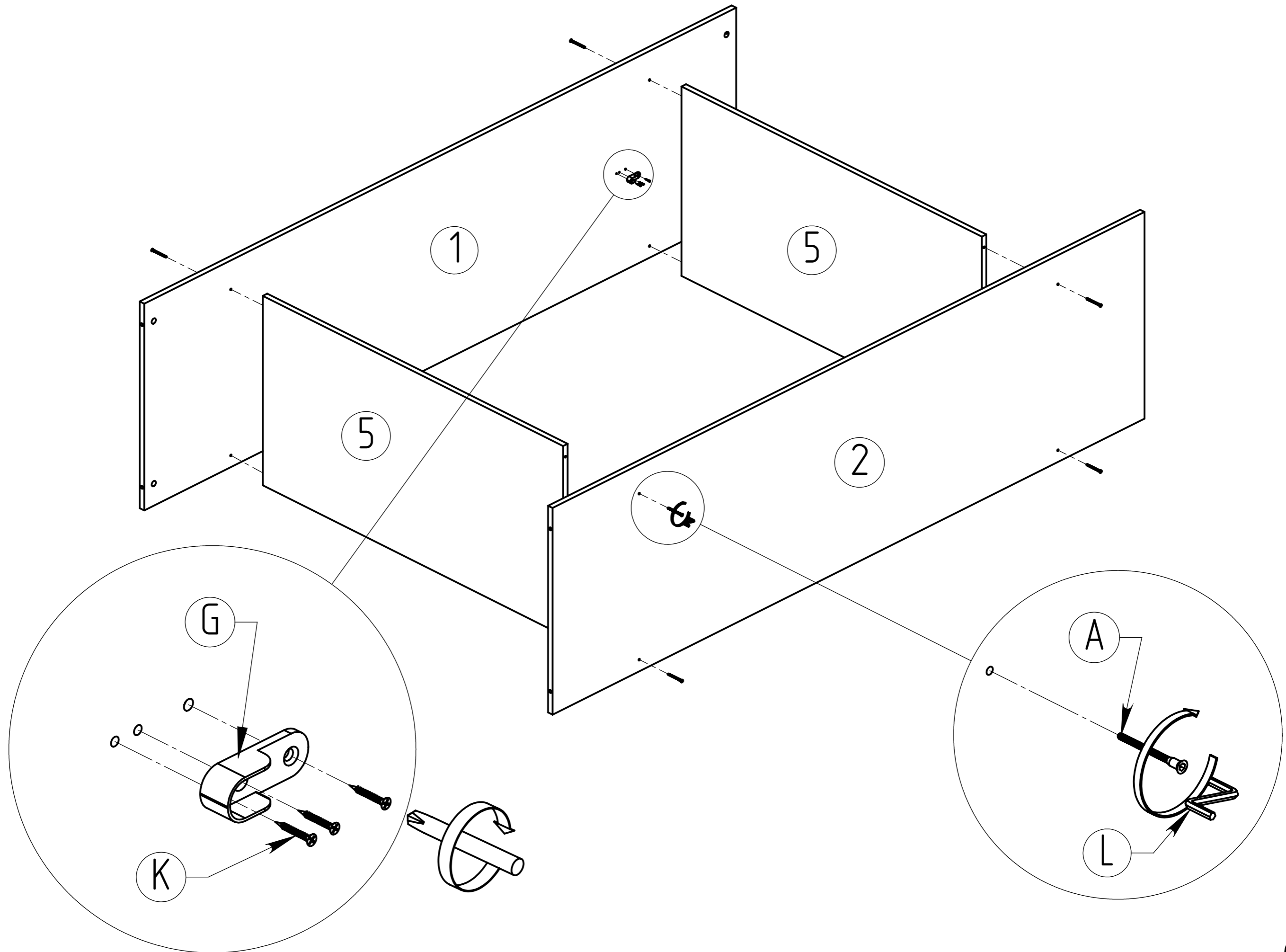
1



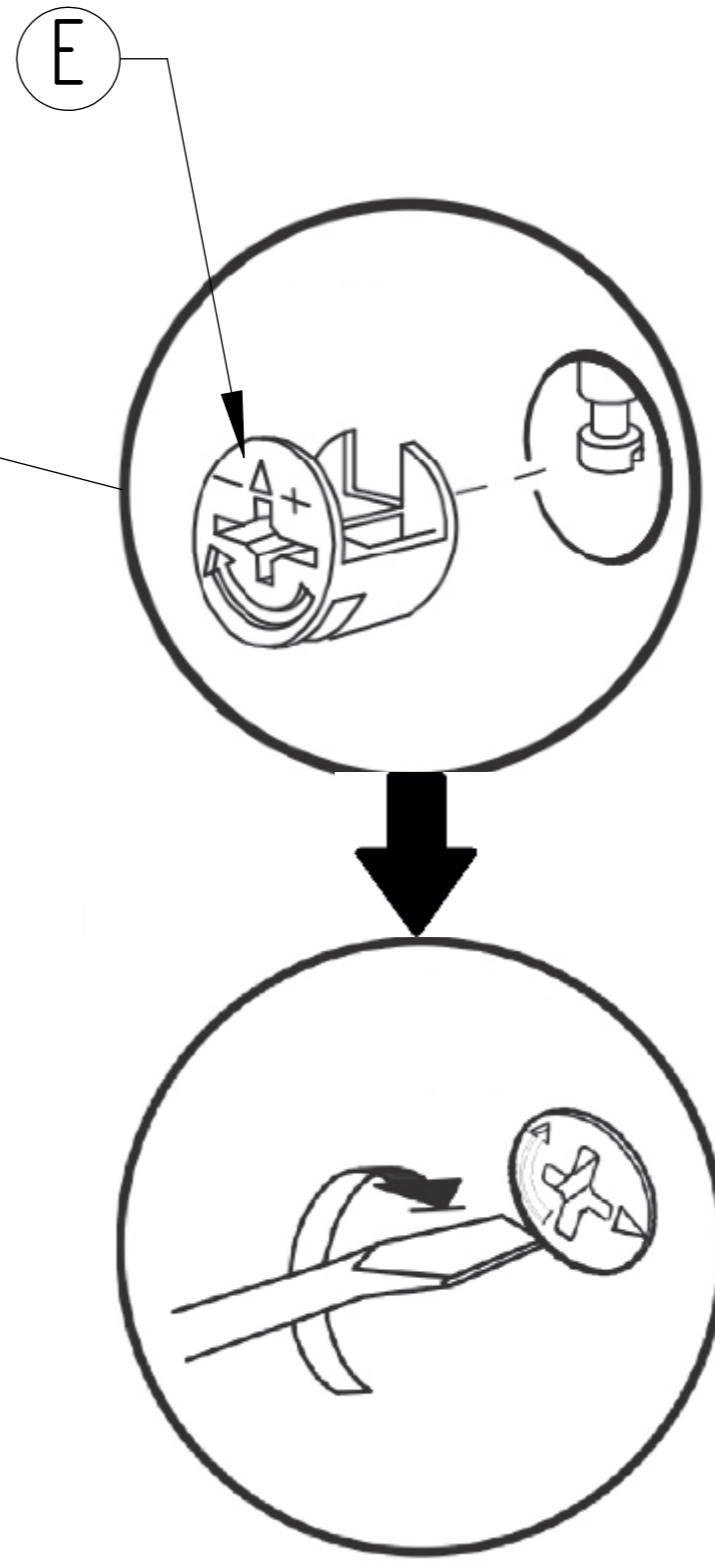
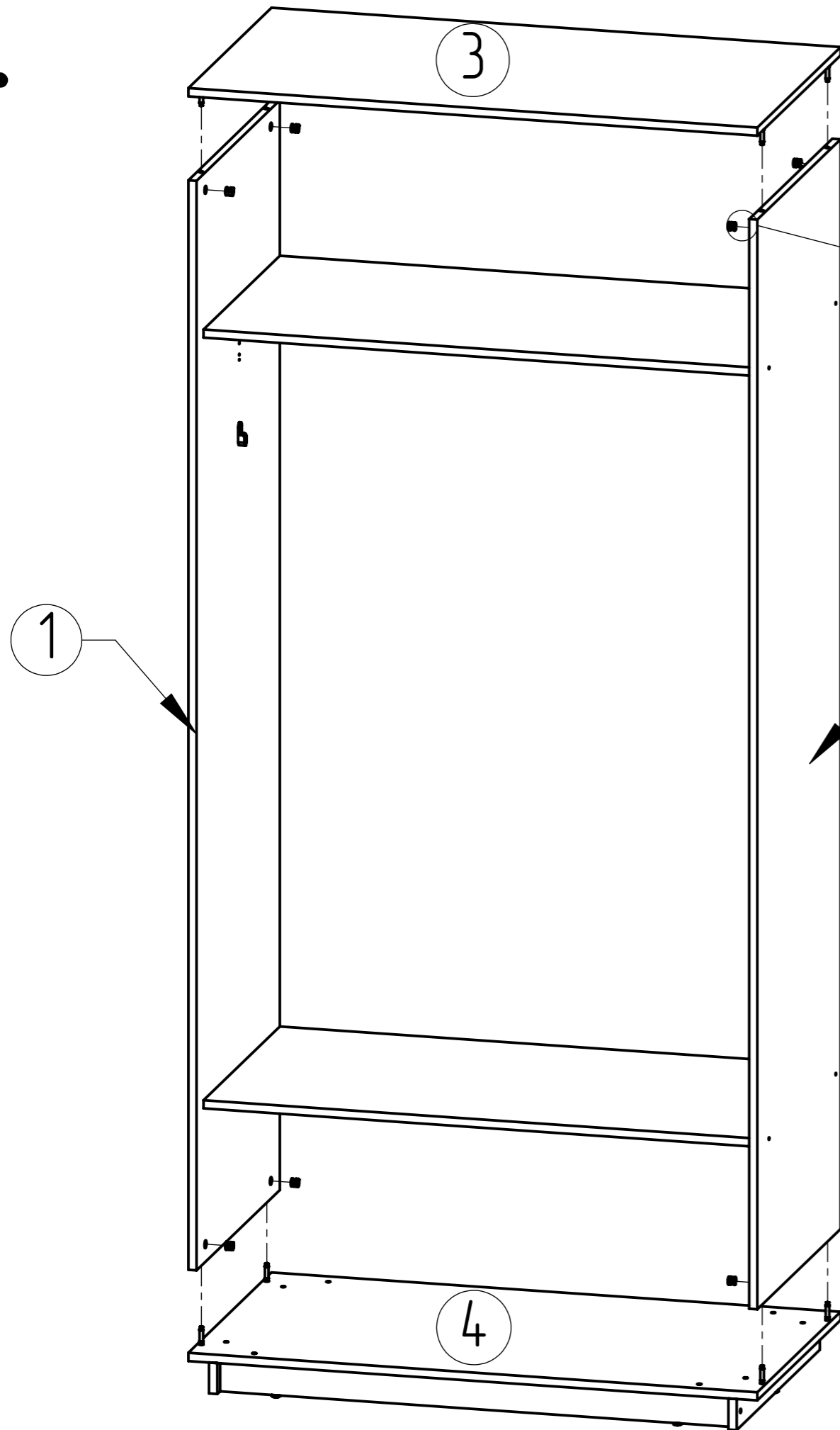
2



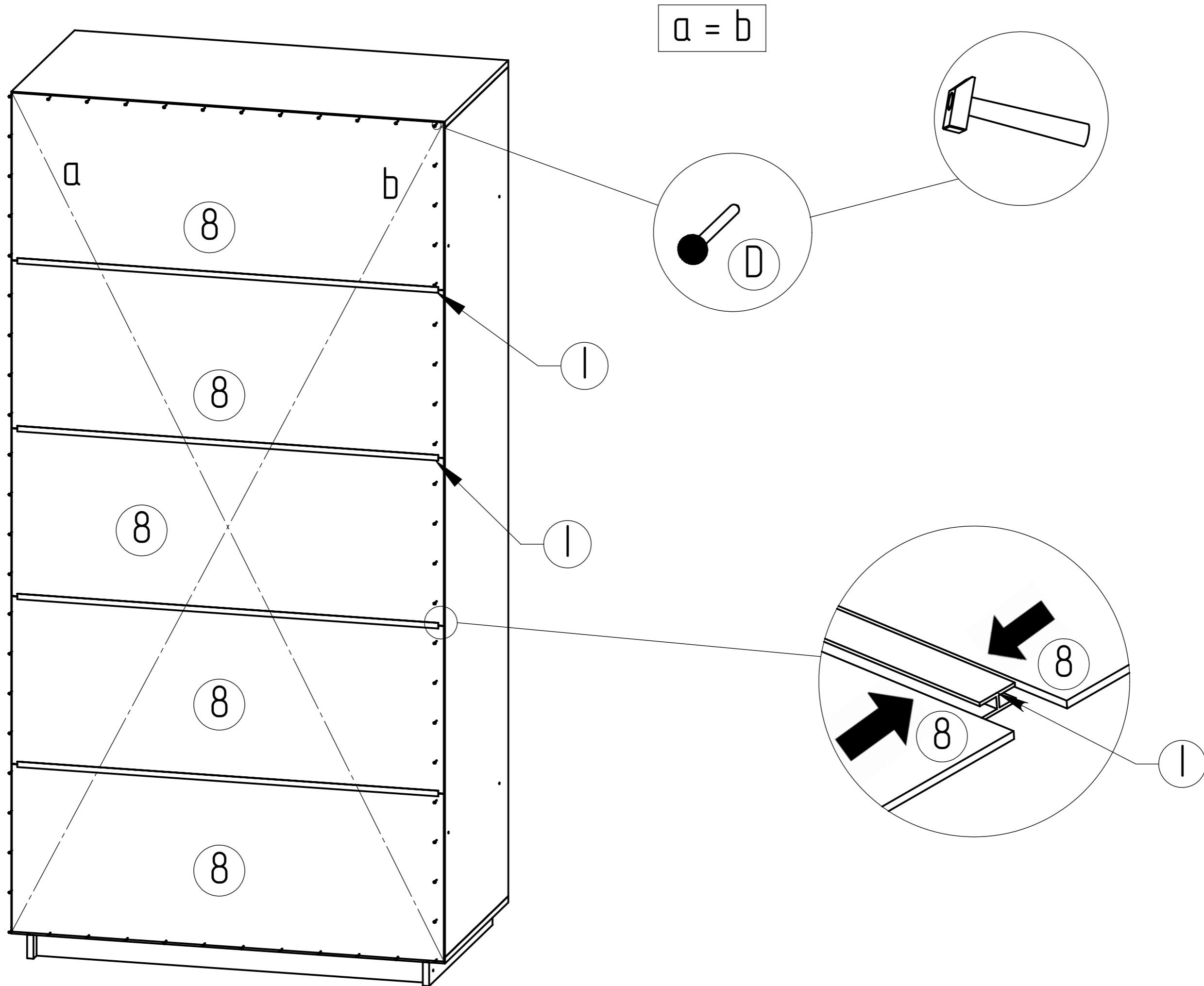
3



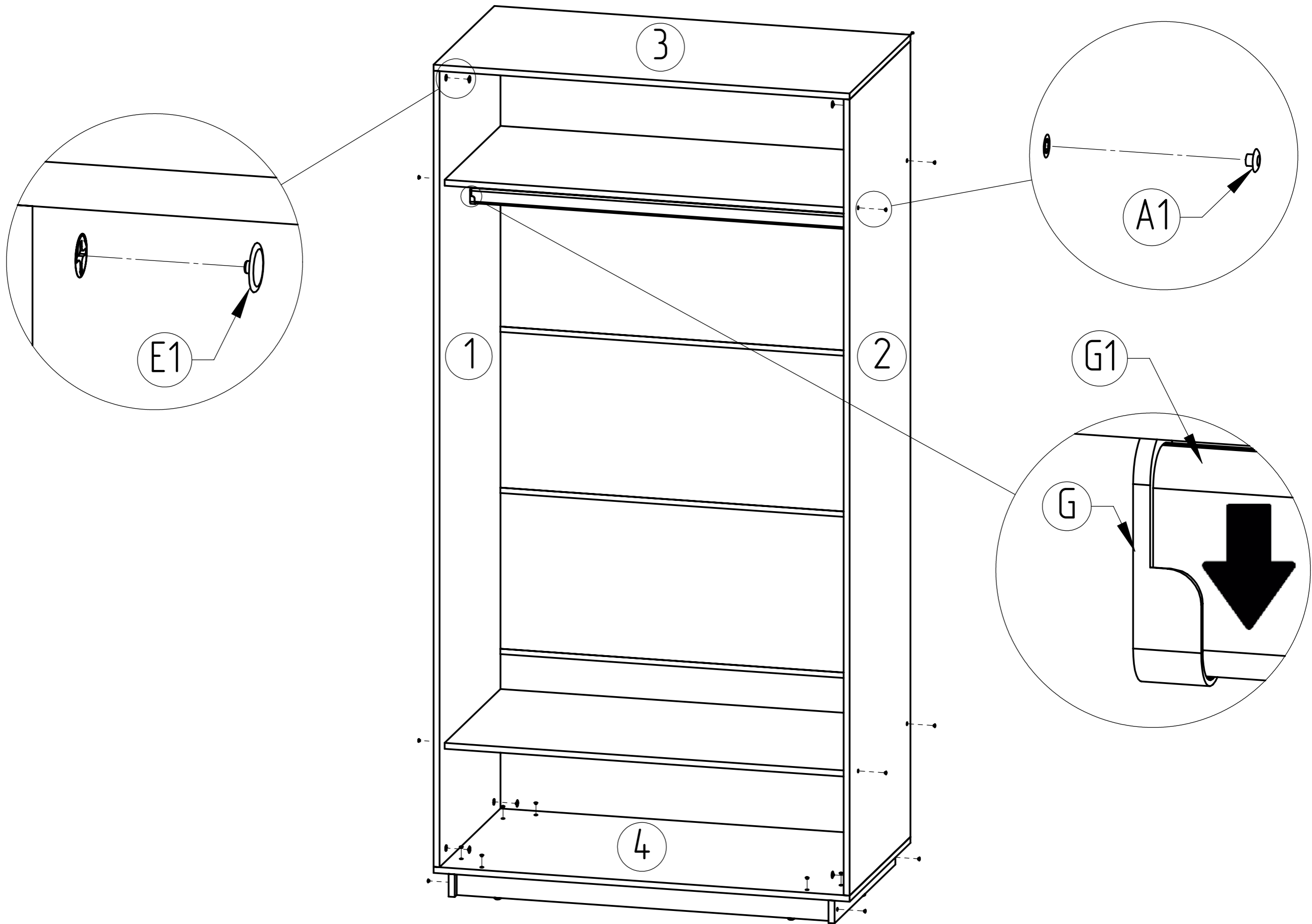
4



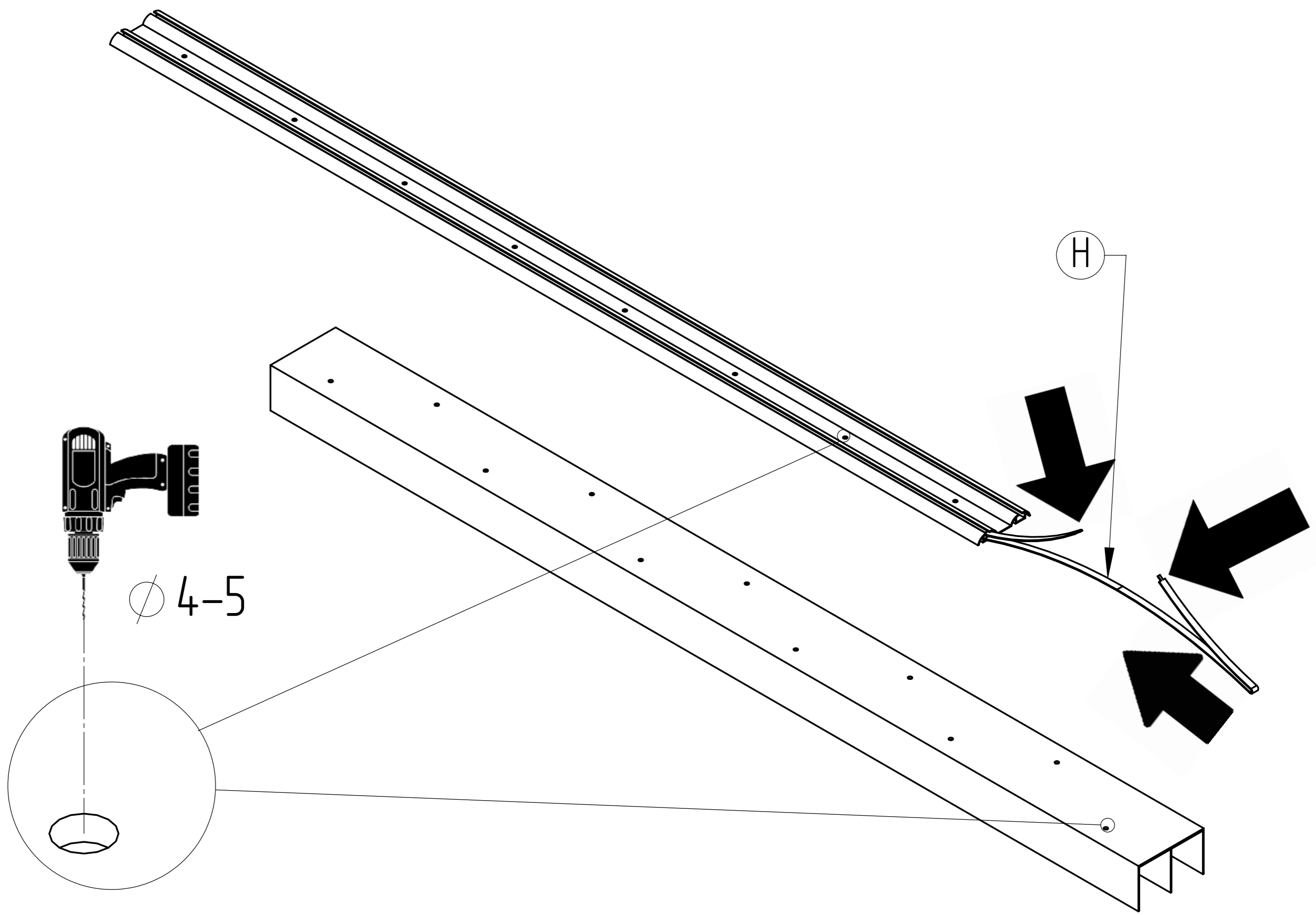
5



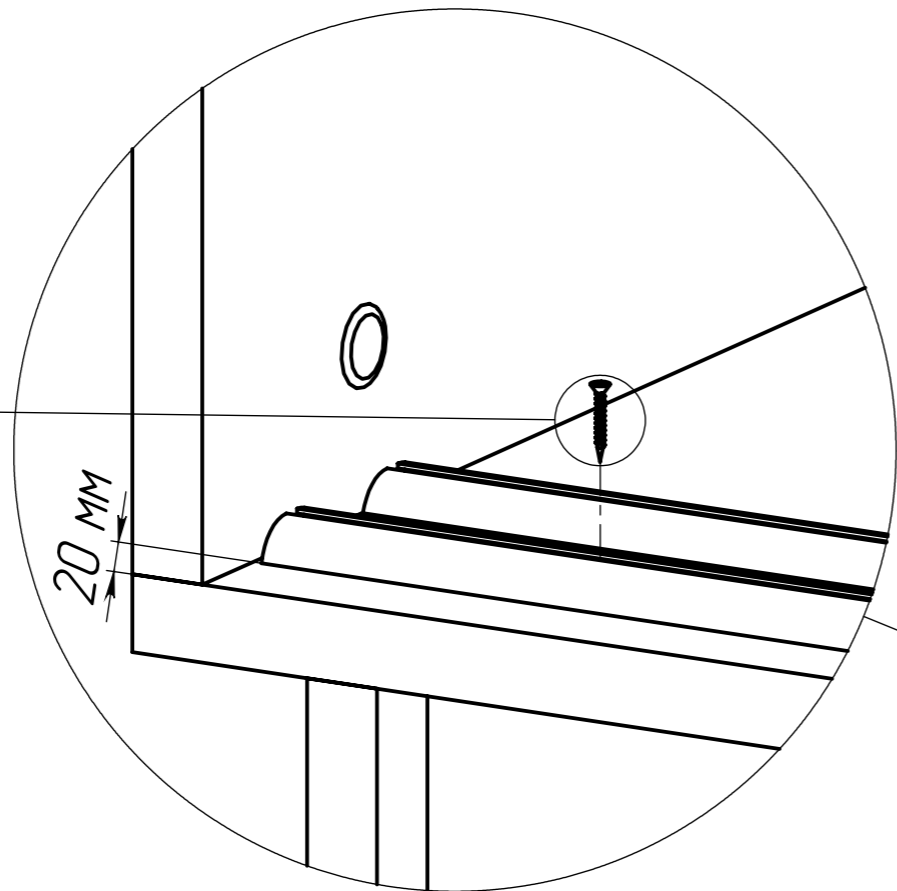
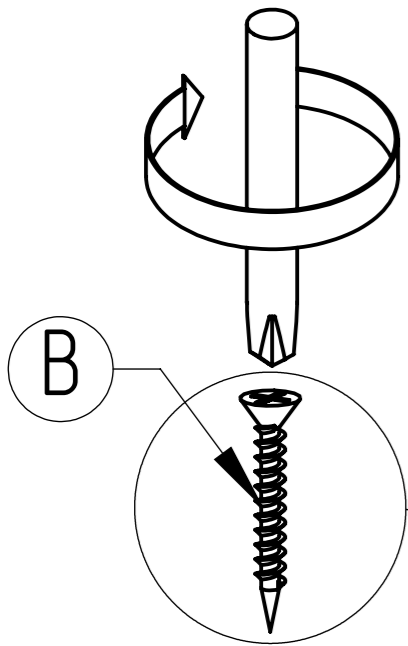
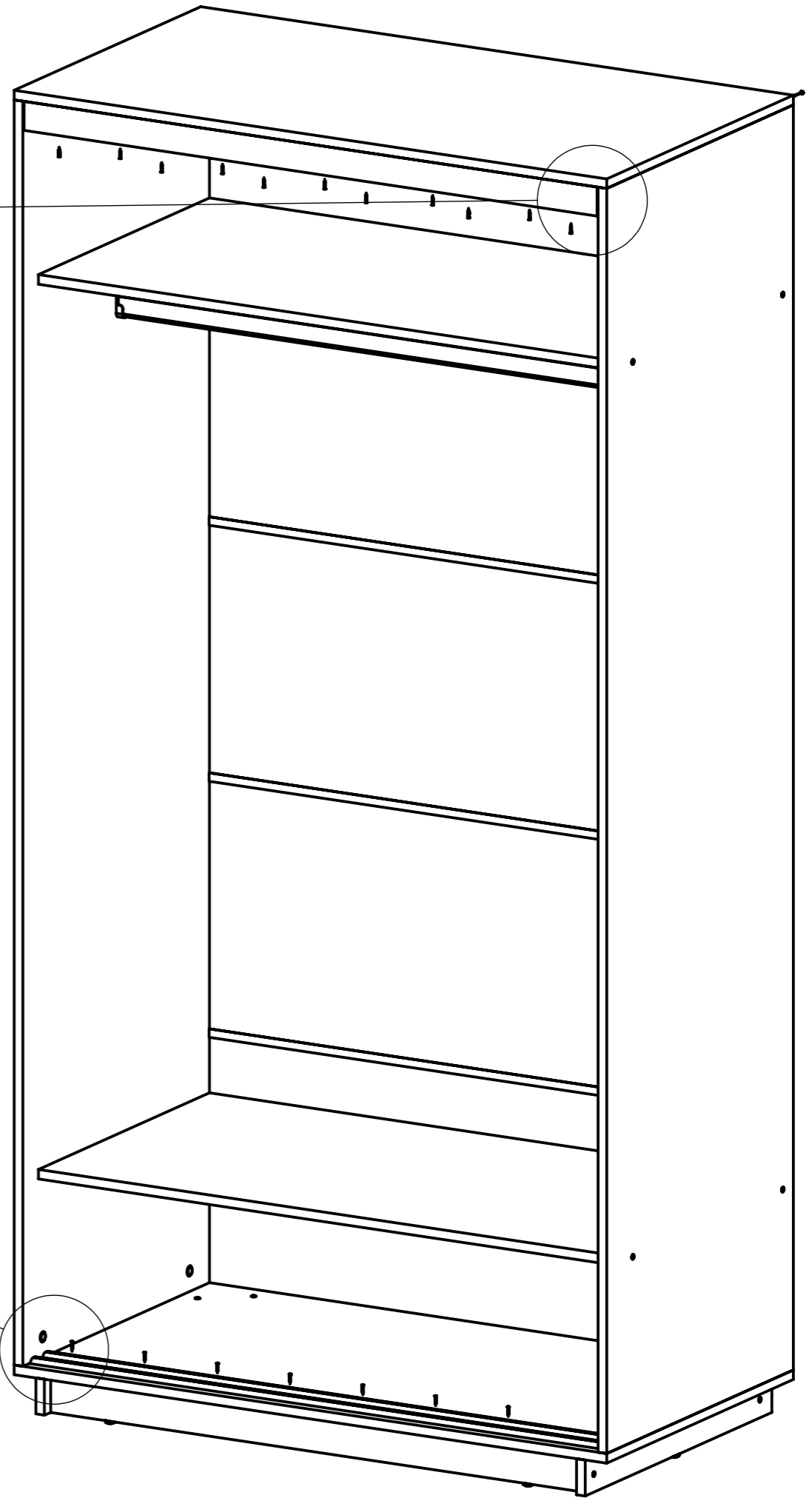
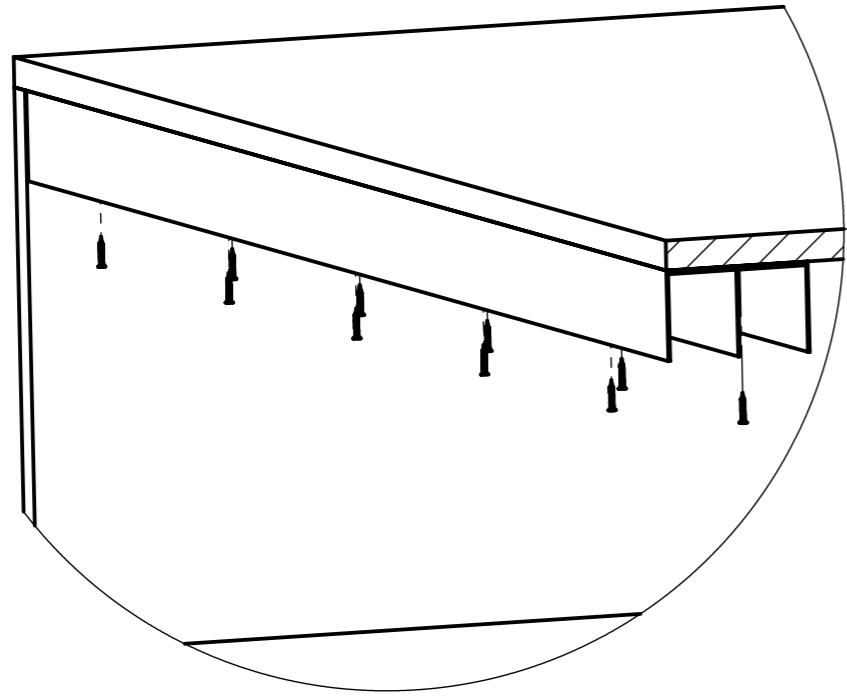
6



7



8



9

